

Lawn and Garden Tractors

Chapter #21

Tractor Safety

- Protect Children
- Operating a Tractor Safely
 - Safely adjusting Mower Blades
 - Avoid Tipping the Mower
 - Parking a Tractor Safely

- Transporting a Tractor



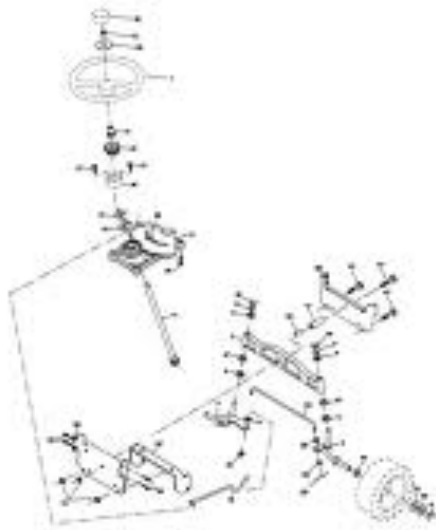
Tractor Uses

- Mowing and Mulching
 - Proper Mowing
 - Mower Deck and Blade Adjustment
 - Proper Mulching
- Leaf Collecting
- Plowing, Throwing and Blowing Snow
- Preparing Soil for Planting
- Hauling a Trailer
- Rotary Broom Sweeping



Engine Components

- Chassis and Steering

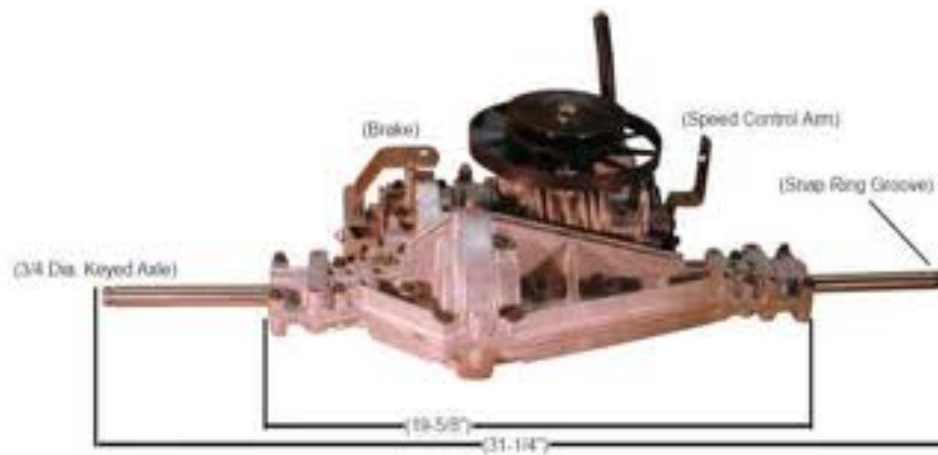


Transmissions

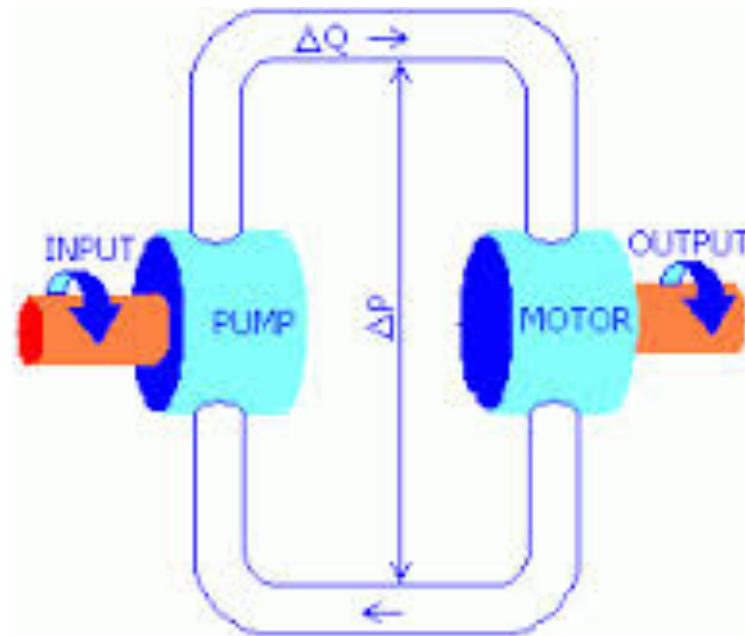
Variable-Speed Transmissions



- Hydrostatic Transmissions



- Hydrostatic Transmission Fluid Flow



Electrical Safety Systems

- Safety Interlocks



- Electric Start Systems
 - Testing an Interlock Electrical Systems



- Recoil Start System

- Starting a Tractor with a Recoil Start System
- Disassembly Procedure
- Assembly Procedure



NO.110

Circuits for Study

- Figure 21-46 through Figure 21-50
- 600 Series MTD tractors with Briggs & Stratton



Service Manual



600 Series Autodrive Tractor

MTD® Tractor is a service manual intended for the use of trained personnel only. It is not intended for use by untrained personnel. These manuals are intended as a reference and do not constitute a warranty. MTD, Murray Deere Turf Equipment, and the MTD logo are trademarks of Murray Deere Turf Equipment. © 2008 Murray Deere Turf Equipment. All rights reserved.

MTD Products LLC • Product Training and Education Department

FORM NUMBER 100-01100
2/08

Murray Deere Turf Equipment

- Engine Lubrication
- Optional Oil Accessories
- Air Filter
- Muffler
- Engine Cleaning
- Radiator Cleaning
- Battery Maintenance
- Sharpening and Balancing Mower Blades
- Fueling and Refueling
- Storing a Tractor
- Removing a Tractor from Storage



Snow Throwers

Chapter #22



Operating Safely



Machine Types and Features

- Small Snow Throwers



- Midsize Snow Throwers



- Heavy-Duty Snow Thrower

<http://dobest.gmc.globalmarket.com/>



- Engine Controls
 - Varies from one manufacture to the next
 - Refer to owners manual

- Operator Presence Controls

- Electric Start System

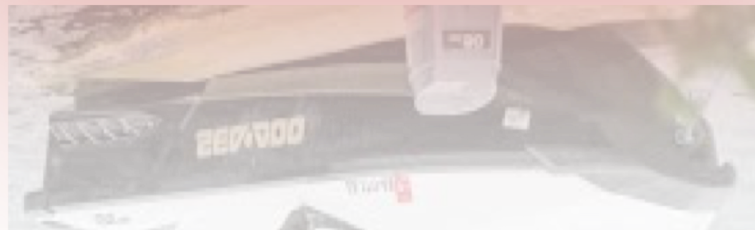
- Drive Systems

- Track Systems

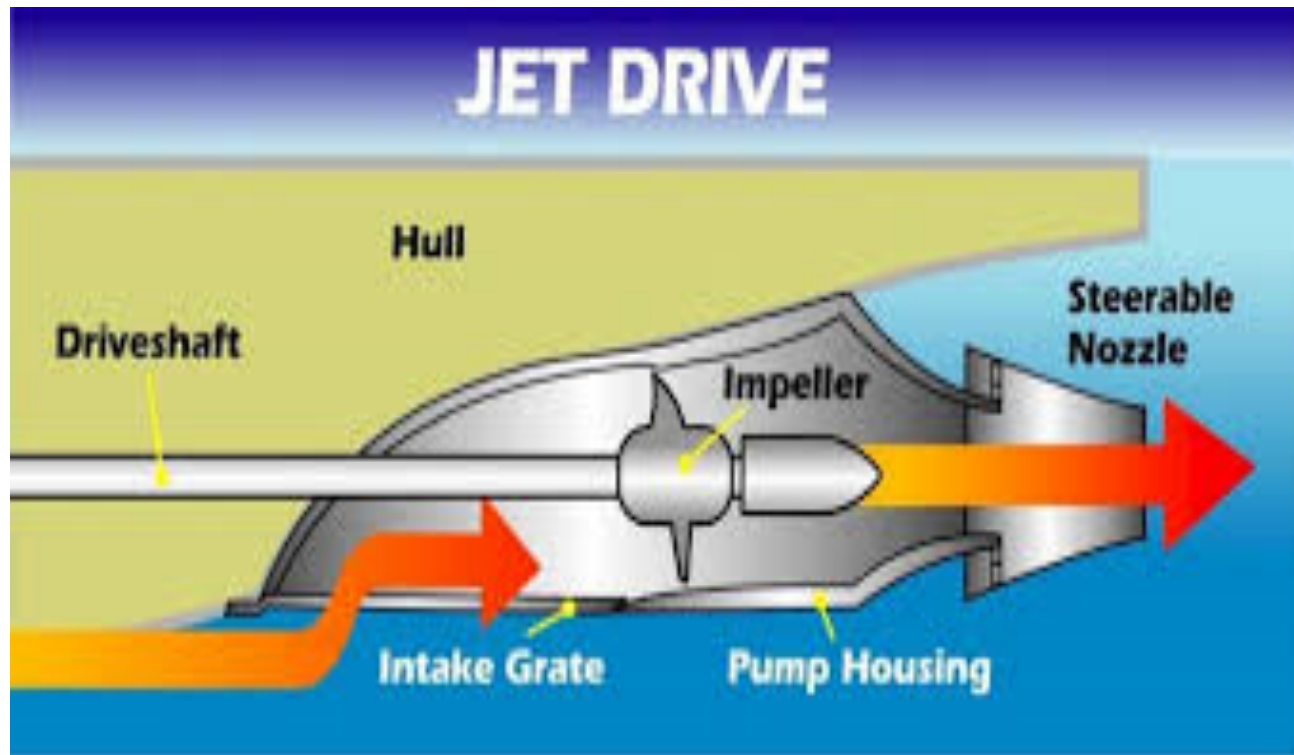
Personal Watercraft

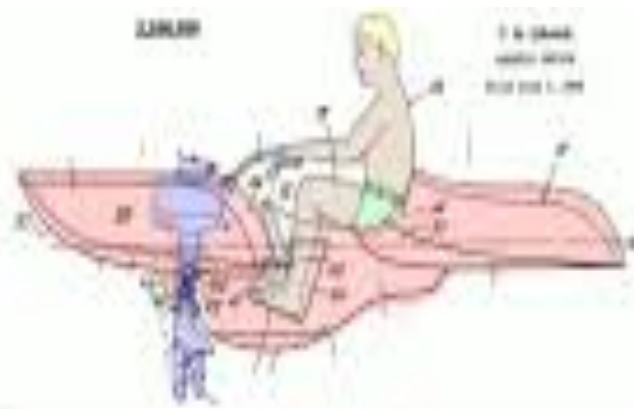


Chapter #23



Jet Drive





Feb. 13, 1960

G. J. JACOBSON
IMPROVED WATER SKI BOAT
Filed Feb. 25, 1959

3,478,724

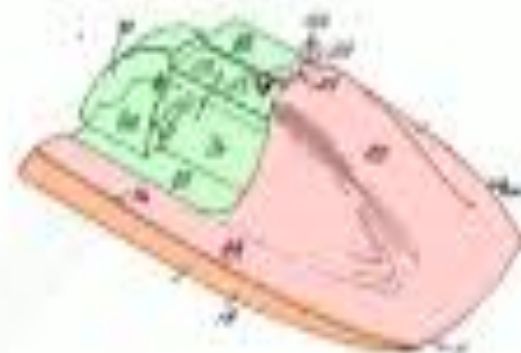


FIG. 12

FIG. 12

FIG. 12

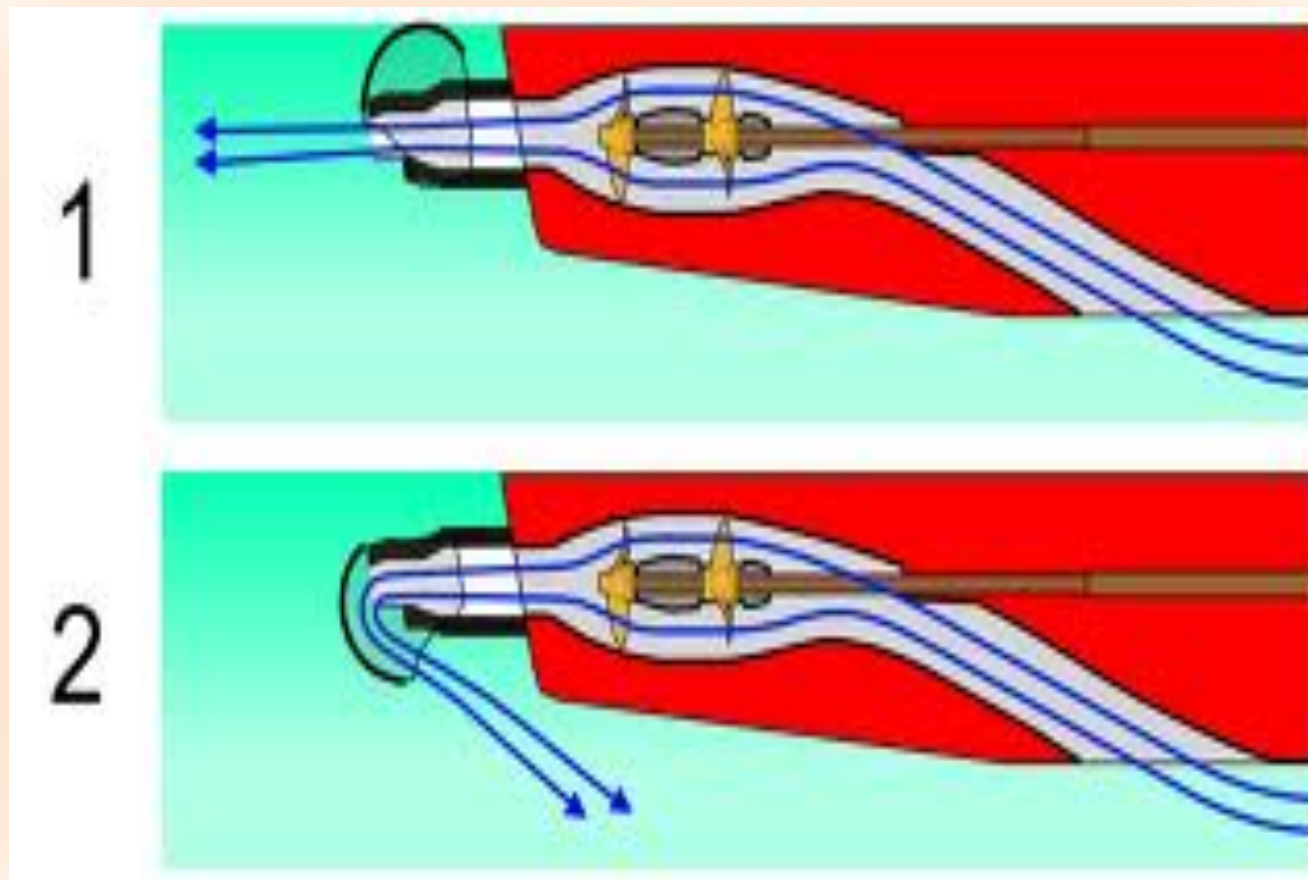


www.exploitsstuff.com

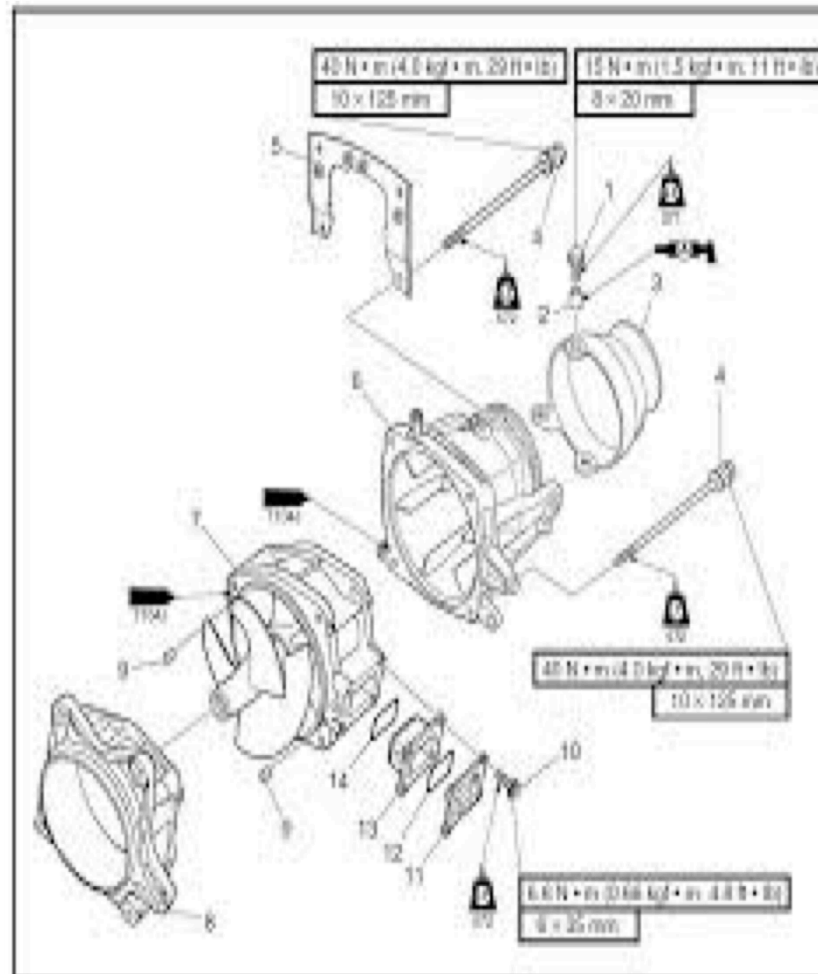
Engine



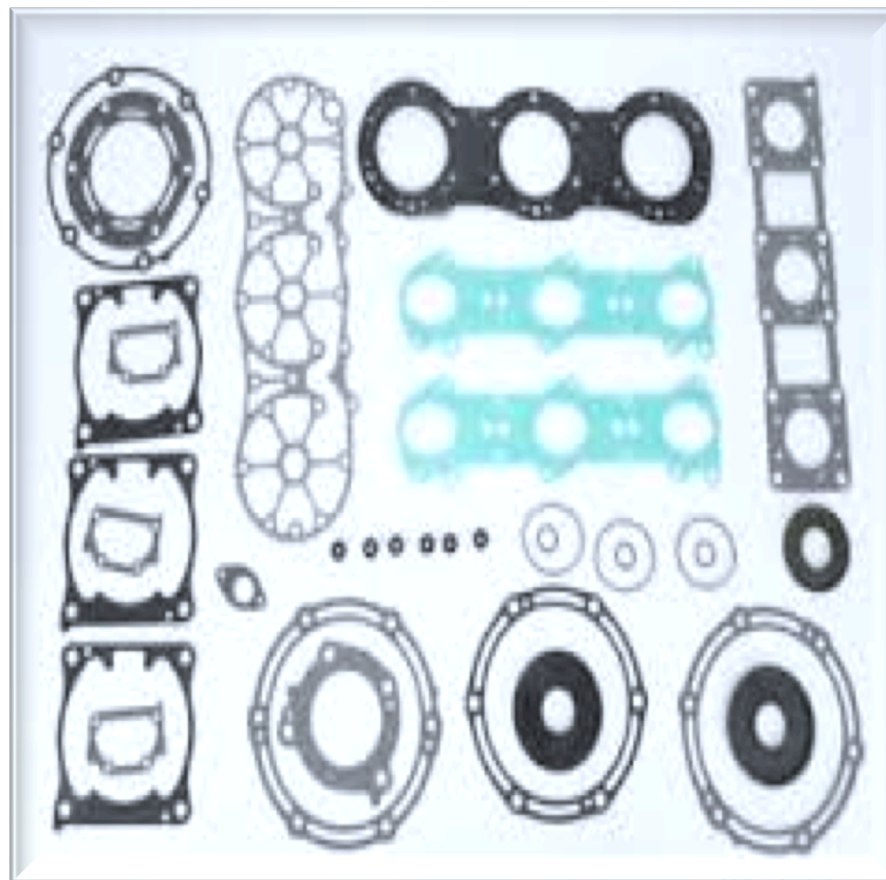
Forward - Reverse



The Pump



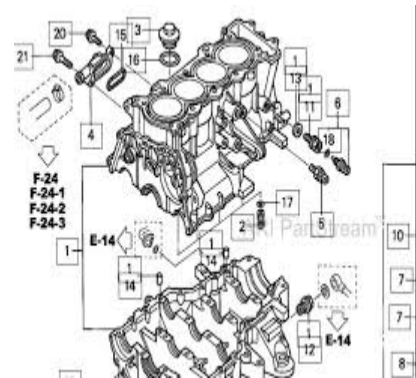
Engine

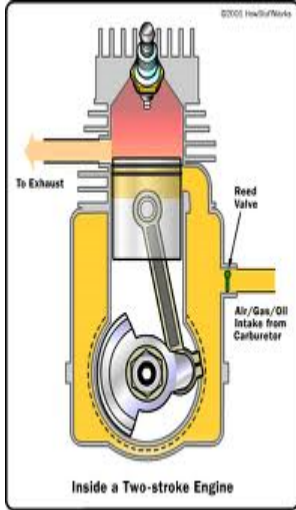


Engine















Gateway Community College, 2014

This work is licensed under the Creative Commons Attribution 4.0 International License. To view a copy of this license, visit <http://creativecommons.org/licenses/by/4.0/>.

This workforce solution was funded by a grant awarded by the U.S. Department of Labor's Employment and Training Administration. The solution was created by the grantee and does not necessarily reflect the official position of the U.S. Department of Labor. The Department of Labor makes no guarantees, warranties, or assurances of any kind, express or implied, with respect to such information, including any information on linked sites and including, but not limited to, accuracy of the information or its completeness, timeliness, usefulness, adequacy, continued availability, or ownership.