

# PRINTERS

---



- Printer
- Multi-Function Device
- Laser Printer
  - Components
  - Process
- Ink Jet Printer
  - Components
  - Process
- Thermal Printer
- Impact Printer
- Printer Media

- Printer Installation
- Windows 7 Add Printer
- Windows XP Add Printer
- Printer Sharing
- Printer Configuration
- Printer Maintenance

- A computer peripheral that produces text and images on a physical medium (commonly paper) from electronic files and images on a computer
- Some printers can print from memory cards or digital cameras

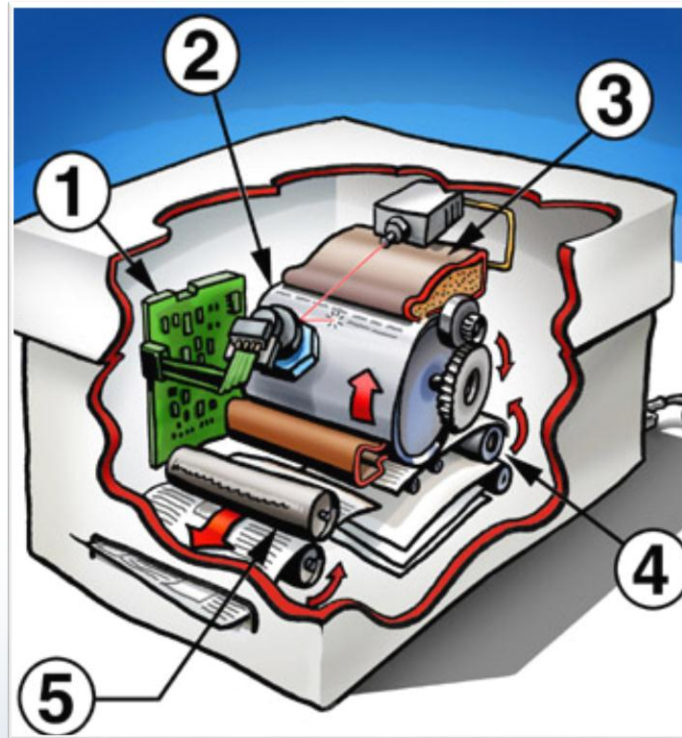
- A computer peripheral that can perform a number of functions including:
  - Printing
  - Scanning documents
  - Operating as a fax machine
  - Copier
- AKA All in One
- Can be small (SOHO use) or large (enterprise use)



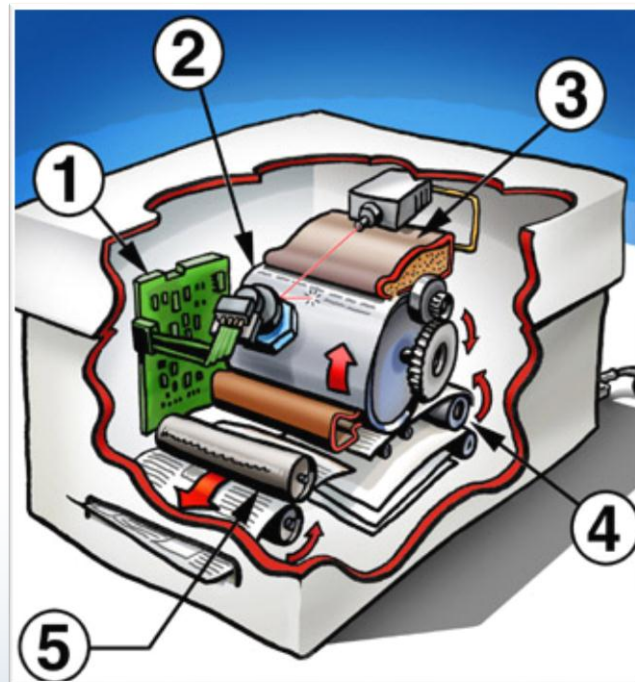
- Uses a laser beam to form images and text, then transfers toner to a physical medium
- Printing speed is generally faster than other printing technologies
- Images and text are usually clear, crisp, and high quality



- Toner cartridge – replaceable unit that contains toner
- Laser scanner
- High voltage power supply
- Paper transport mechanisms – pickup roller, transfer roller, transfer belt

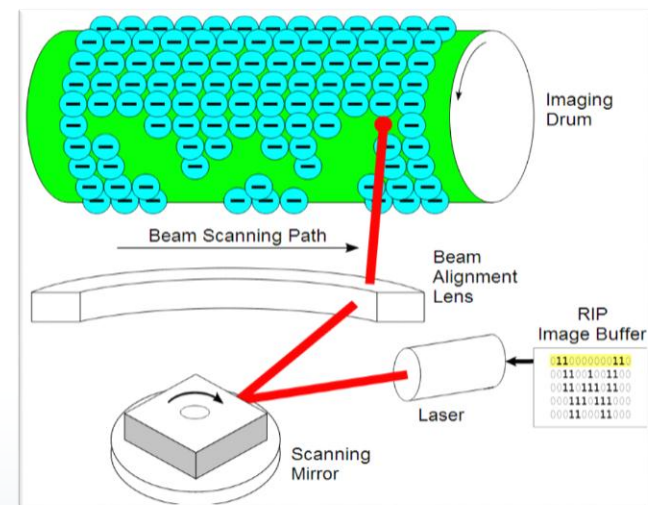
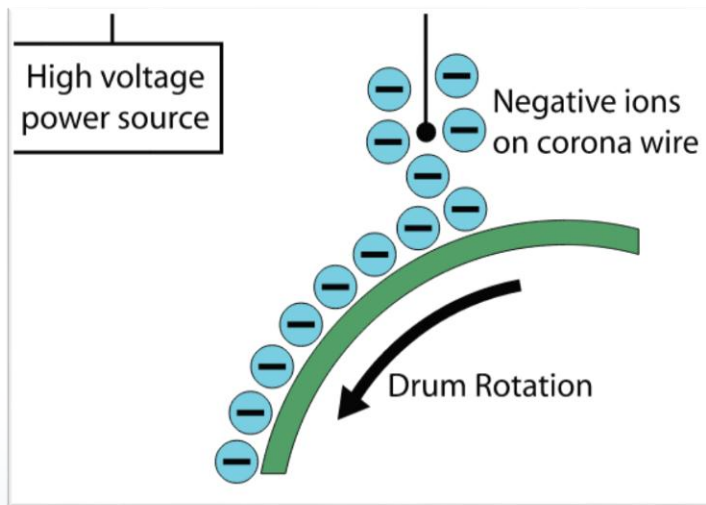


- Imaging drum – carries electrical charge that attracts the toner
- Transfer corona assembly – charges paper and drum
- Fuser assembly – applies pressure and heat to attach toner to the paper
- Duplexer – allows images to be printed on both sides of the paper





- Cleaning/Erasing – Image drum is cleared of toner and charges
- Charging – Corona wire or charge roller apply a negative charge to the image drum (600 V)
- Exposing – Laser writes to the image drum making portions of the drum less negatively charged



- Developing – Toner is attracted to areas of the image drum hit by the laser
- Transferring – Pickup rollers feed positively charged paper towards the drum attracting the negatively charged toner onto the paper
- Fusing – Fusing rollers use heat and pressure to affix toner to paper



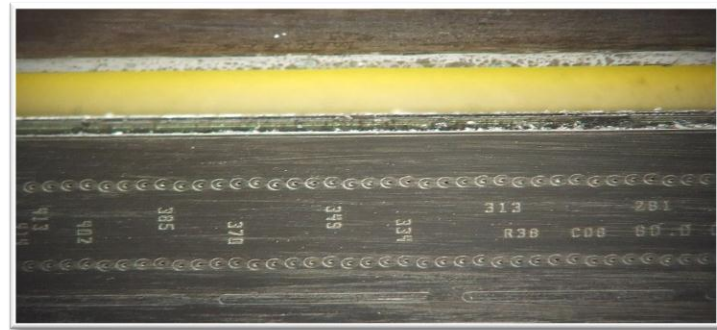
- 1) Image drum photoconductor, with an electrically chargeable coating.
- 2) Charge roller with high negative charge. Transfers the load evenly over the image drum.
- 3) Laser diode with a focusing lens. The laser beam neutralizes the charge on the photoconductive drum.
- 4) A rotating polygon mirror that directs the laser beam line by line over the image drum unit.
- 5) Irregular geforme lens. Linearity correction of the laser movement.
- 6) Mixing plant in the container with the toner. Spreads the toner evenly on the drum.

- 7) Negatively charged drum. The toner moves from here to the discharged areas of the drum.
- 8) Toner transfer paper. The positively charged transfer roller attracts the negatively charged toner.
- 9) Scraper. Wipes excess toner from the drum and neutralizes the charge remaining.
- 10) Waste toner container.
- 11) Fuser. Hot rollers melt the toner and press it onto the paper.

- Ink cartridge – black or colored
- Print head – portion of cartridge that ejects ink
- Roller – moves paper
- Duplex assembly – allows printing on both sides of paper



Ink cartridge- black and colored



Ink jet printer head (black)

- Forms images by spraying ink from a cartridge onto paper
- Inexpensive
- Can print on a variety of paper types: inexpensive, bright, photo, transparencies, labels, card stock, envelopes
- Black/white and color models
- Duplexing
- Speed is generally slower than laser



- Preparation – move paper into the printing area and move the print head across the paper
- Ink dispersion/deposit – heat or vibration forces ink from cartridge to paper, the print head moves back and forth across the paper
- Paper advance – paper is advanced by roller to allow printing on the next section





- Use a heating element to create images
- Thermal dye transfer – uses heat to diffuse ink onto special paper, producing high quality colors
- Thermal wax transfer – melts wax ink onto paper
- Direct thermal printer – heated pin to form image on special thermal paper (cash register, fax machine), does not run out of ink



- Strike directly against an ink ribbon to form alpha numeric characters or dots
- Dot Matrix – uses pins to create various combinations of dots that form alpha numeric characters or images
- Formed Character/Daisy Wheel – formed alpha numeric characters arranged in a ball
- Line printer – prints a full line of text at a time



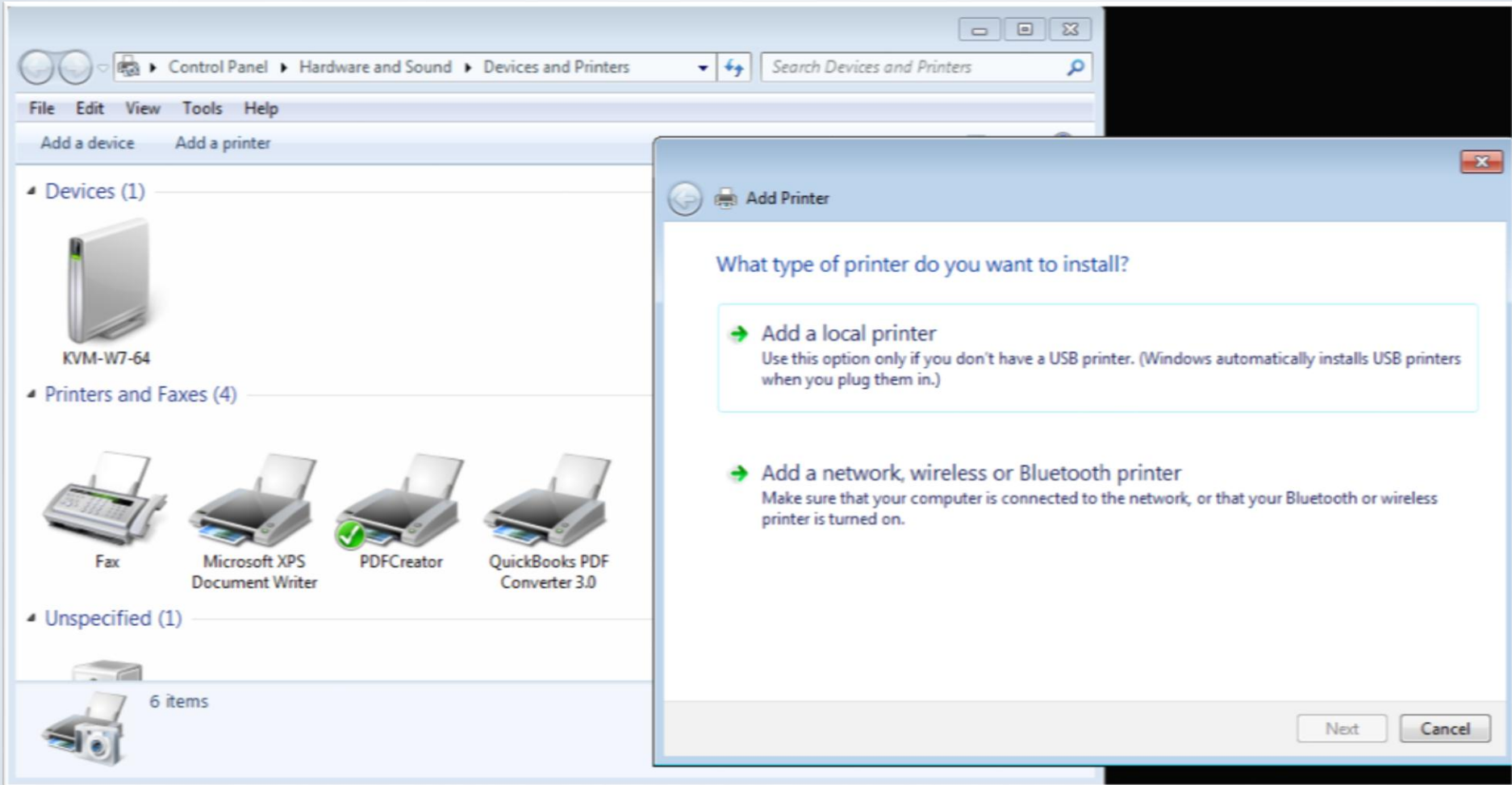
Impact Printer for regular Use

- Paper
- Toner
- Ink Jet Cartridge
- Ink ribbon

- Printer memory – may need to upgrade
- Printer driver – obtained from manufacturer or supplied by the operating system
- Printer firmware – obtained from the manufacturer and use specialized software to install
- Printer connections –
  - Wired: parallel, USB, RJ-45/Twisted Pair
  - Wireless: Wifi, USB, IR

- Obtain/download printer driver/software
- Power on and connect printer
  - Wired: to specific connection
  - Wireless/network: connect to wireless network/device
- Install printer driver/software

- Start → Control Panel → Hardware and Sound → View Devices and Printers → Add a printer
- Select “local”
  - Choose proper port
- Select “network, wireless, Bluetooth”
  - Allow search to find printers or enter printer name/location/IP address
  - Select proper driver



Control Panel > Hardware and Sound > Devices and Printers

File Edit View Tools Help

Add a device Add a printer

Devices (1)

- KVM-W7-64

Printers and Faxes (4)

- Fax
- Microsoft XPS Document Writer
- PDFCreator
- QuickBooks PDF Converter 3.0

Unspecified (1)

6 items

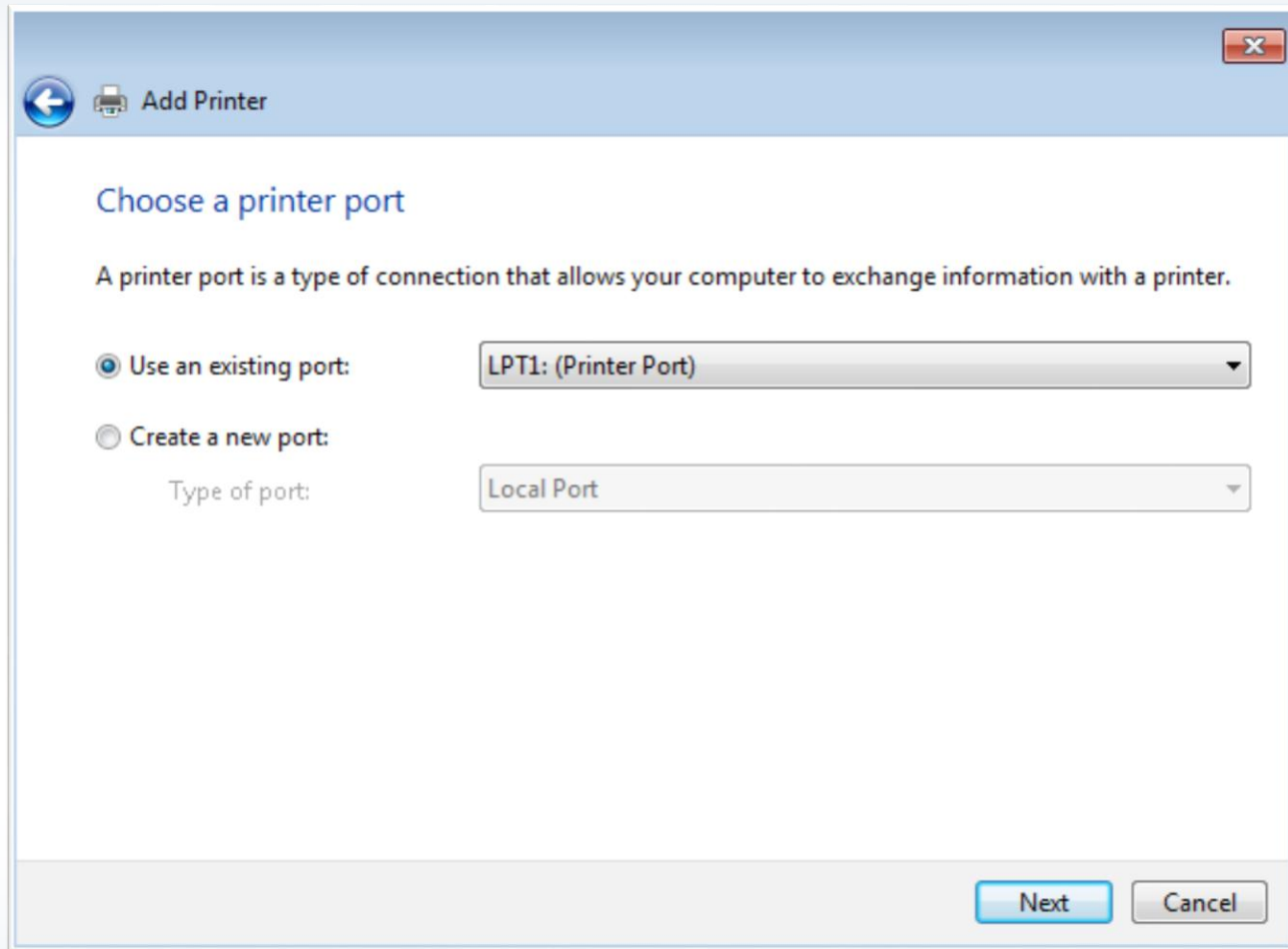
**Add Printer**

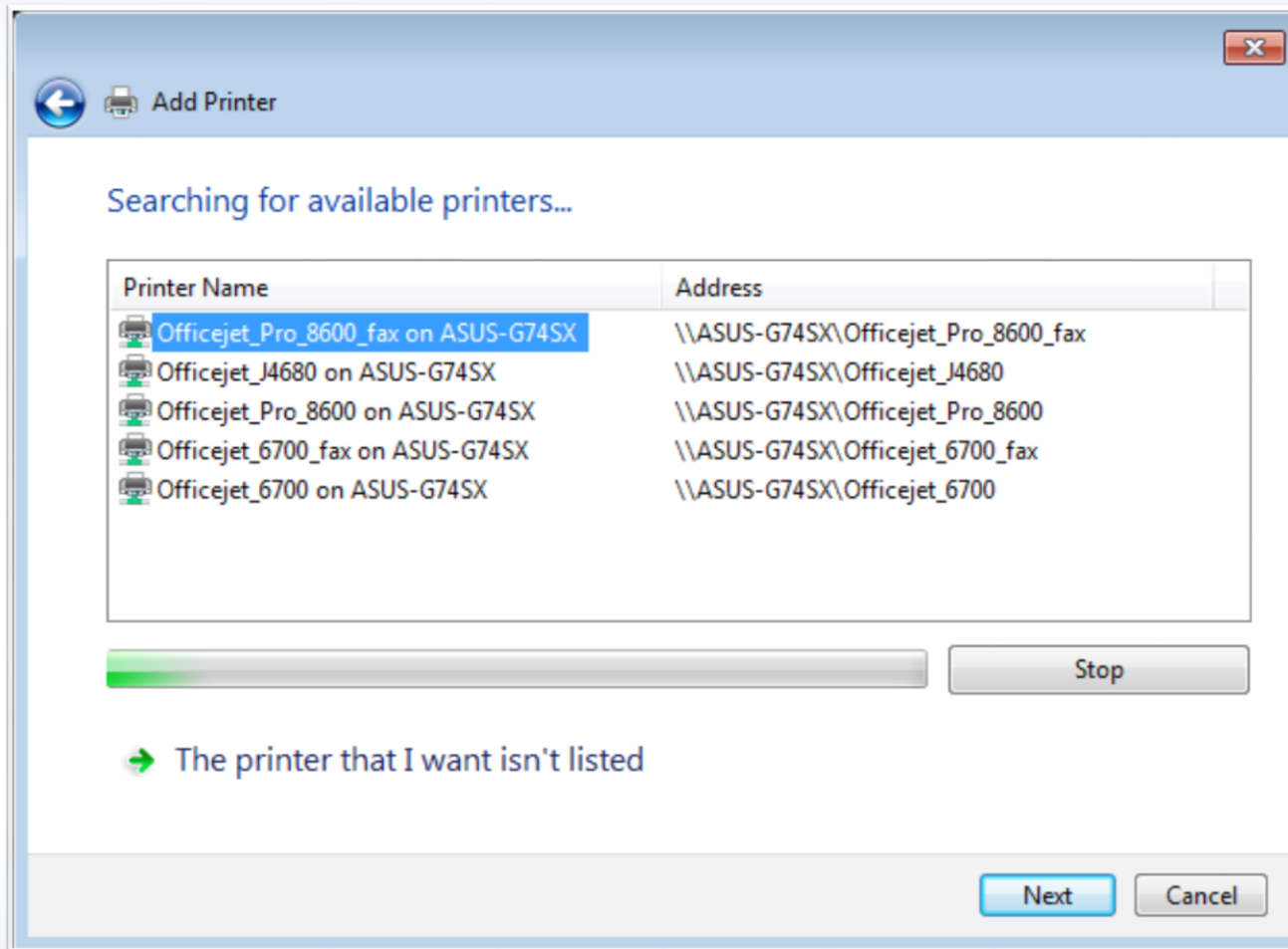
What type of printer do you want to install?

- Add a local printer**  
Use this option only if you don't have a USB printer. (Windows automatically installs USB printers when you plug them in.)
- Add a network, wireless or Bluetooth printer  
Make sure that your computer is connected to the network, or that your Bluetooth or wireless printer is turned on.

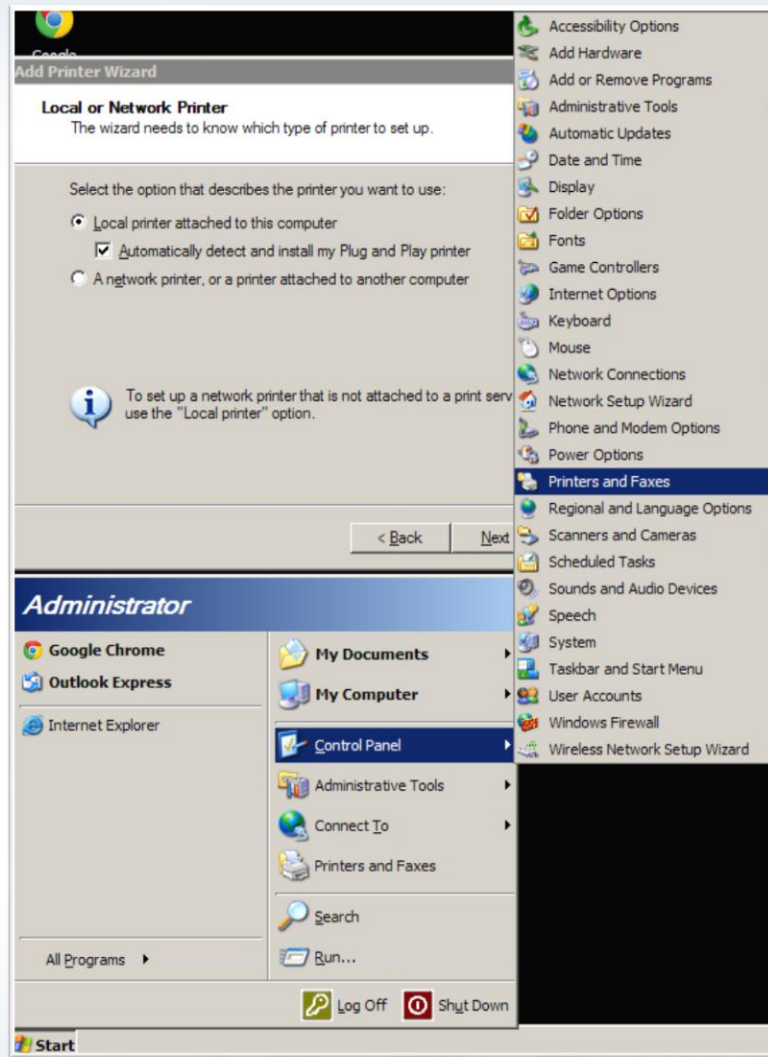
Next Cancel








- Start → Control Panel → Printers and Faxes → Add a printer
- Select “Local printer attached to this computer”
  - Choose proper port
- Select “A network printer, or a printer attached to another computer”
  - Browse to find printers or enter printer name/location/IP address
  - Select proper driver



### Add Printer Wizard

#### Select a Printer Port


Computers communicate with printers through ports.



Select the port you want your printer to use. If the port is not listed, you can create a new port.

Use the following port: **LPT1: (Recommended Printer Port)**

Note: Most computers use the LPT1: port to communicate with a local printer. The connector for this port should look something like this:




Create a new port:  
Type of port: **Local Port**

< Back    Next >    Cancel

**Add Printer Wizard**

**Specify a Printer**  
If you don't know the name or address of the printer, you can search for a printer that meets your needs.



What printer do you want to connect to?

**Browse for a printer**

**Connect to this printer (or to browse for a printer, select this option and click Next):**

Name:

Example: \\server\printer

**Connect to a printer on the Internet or on a home or office network:**

URL:

Example: http://server/printers/myprinter/printer

< Back    Next >    Cancel

- Wired
- Wireless – Wifi, Bluetooth, IR
- Print Server
- Shared Network

- Calibration
- Tray Assignment
- Tray switching
- Print spool settings
- Availability
- Color
- Ports



- Inkjet – use often, run cleaning, run nozzle test
- Impact – clean paper path, replace print head ribbon as needed, avoid overheating
- Laser – replace toner cartridge, clean excess toner, keep well ventilated (ozone)
- Thermal – replace paper, clean heating element, remove debris from printer



# THANK YOU

---