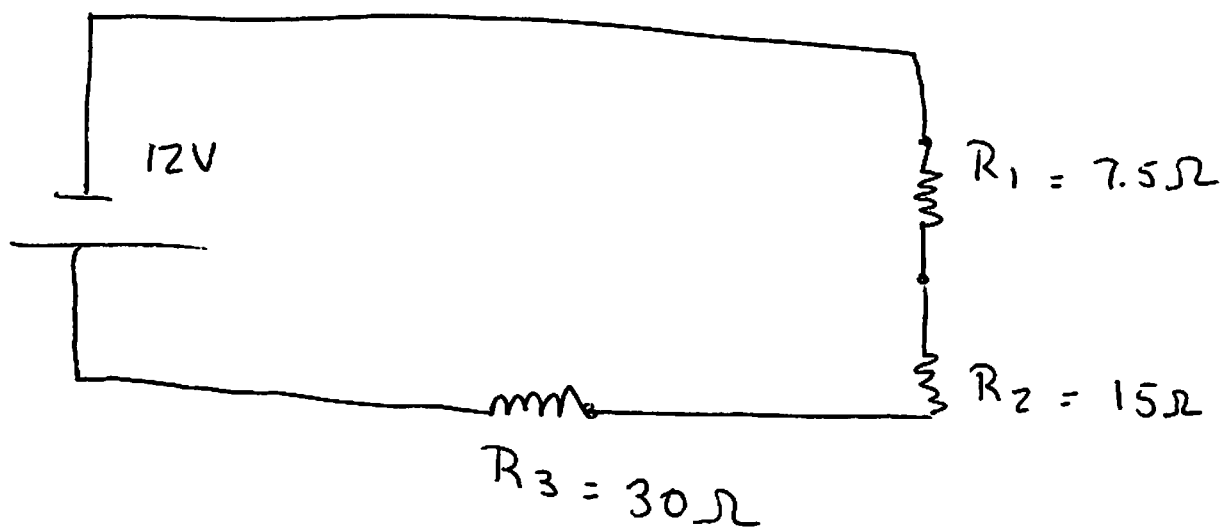


①

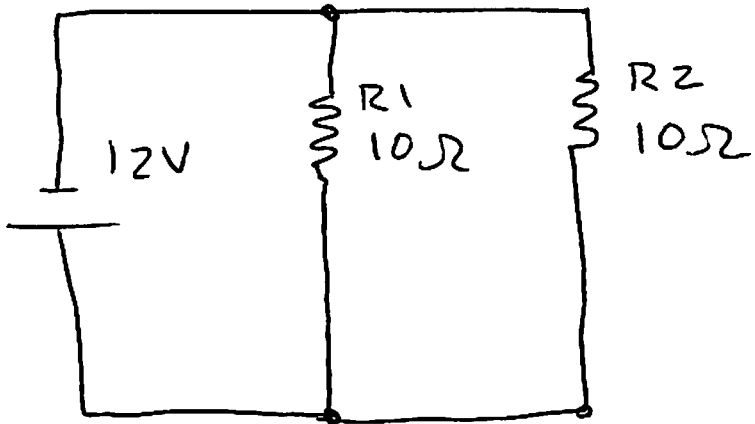


WHAT IS  $R_T$  ?

WHAT IS CURRENT FLOW OF CKT ?

WHAT IS  $V_{R1}$  ,  $V_{R2}$  ,  $V_{R3}$

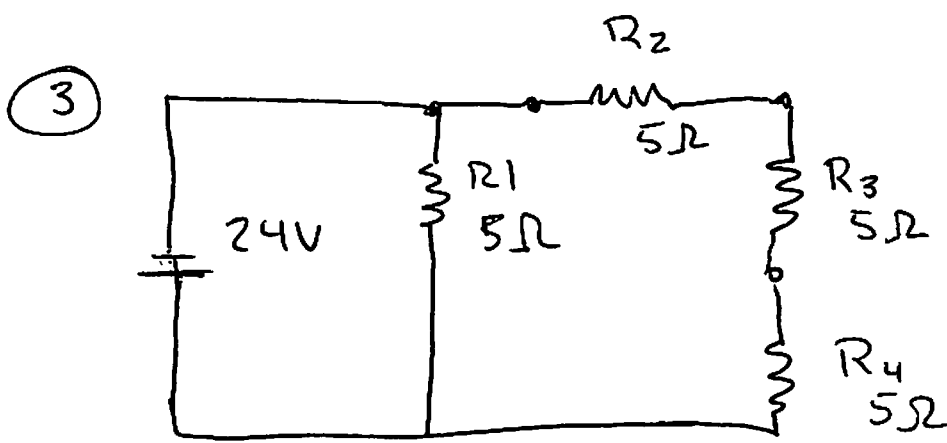
2



① WHAT IS  $R_{EQ}$  ?

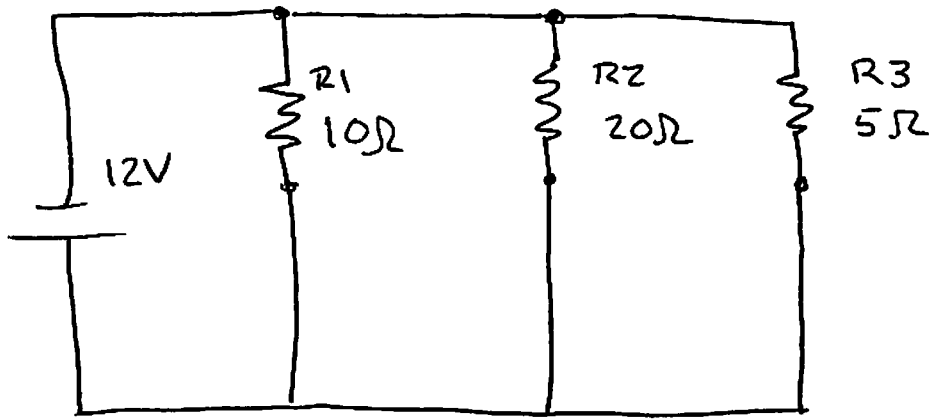
② WHAT IS  $I_{TOTAL}$  ?

③ WHAT IS  $V_{R1}$  ( $E_{R1}$ ) ?



- ① WHAT IS  $R_T$  OF  $R_2, R_3, R_4$  ?
- ② WHAT IS  $R_{EQ}$  ?
- ③ WHAT IS  $V_{R_2}, V_{R_3}, V_{R_4}$  ?
- ④ WHAT IS  $I_{TOTAL}$  ?
- ⑤ WHAT IS POWER OF CKT ?

4



- ① WHAT IS  $R_{EQ}$  ?
- ② WHAT IS  $I_T$  ?
- ③ WHAT IS  $I_{BRANCH 1}$  ?
- ④ How MUCH PWR IS CONSUMED?

*“This workforce product was funded by a grant awarded by the U.S. Department of Labor’s Employment and Training Administration. The product was created by the grantee and does not necessarily reflect the official position of the U.S. Department of Labor. The U.S. Department of Labor makes no guarantees, warranties, or assurances of any kind, express or implied, with respect to such information, including any information on linked sites and including, but not limited to, accuracy of the information or its completeness, timeliness, usefulness, adequacy, continued availability, or ownership.”*



Project Product was created by North Central Missouri College Grant Staff licensed under a [Creative Commons Attribution 4.0 International License](https://creativecommons.org/licenses/by/4.0/).