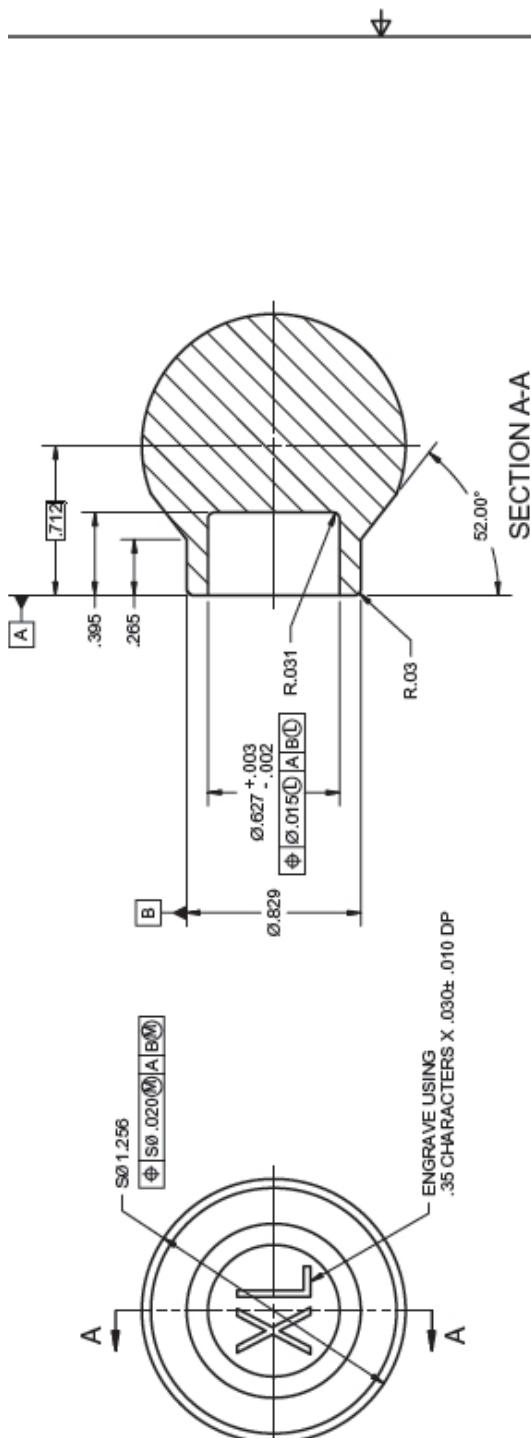


Parts of a Drawing Exercise – Part 1

Given the drawing on the next page, answer the following questions using short, complete statements.

Question	Answer
1. Give the drawing title.	
2. Identify the drawing number.	
3. How many times has this drawing been revised?	
4. How many sheets are there with this drawing?	
5. What is the drawing scale?	
6. Identify the sheet size.	
7. Give the material used to make the part.	
8. Identify the view projection used on this drawing.	
9. Specify the finish used for this part.	
10. Give the initials of the person who approved this drawing.	



SECTION A-A

ENGRAVE USING
.35 CHARACTERS X .030± .010 DP

WRIGHT MEDICAL TECHNOLOGY PROPRIETARY:
THIS MATERIAL IS CONSIDERED PROPRIETARY AND MUST NOT BE COPIED OR
EXHIBITED EXCEPT WITH PERMISSION OF WRIGHT MEDICAL TECHNOLOGY'S
RESEARCH & DEVELOPMENT DEPARTMENT AND MUST BE DESTROYED AFTER USE

WRIGHT® 5677 Althea Road, Allingdon, TN 38002

TITLE
TRIAL HEAD EXTRA LONG

SIZE B CASE CODE DWG NO. 2060101 REV 0

SCALE 2:1 SHEET 1 OF 1

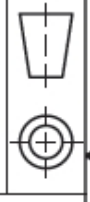
APPROVALS	DATE
DRAWN DFM	
CHECKED CHM	
APPROVED DMS	
MATERIAL ASTM B 211 ALLOY 6061 T651	
FINISH SEE NOTE 3	
DO NOT SCALE DRAWING	

UNLESS OTHERWISE SPECIFIED
DIMENSIONS ARE IN INCHES (IN)

TOLERANCES:

- ± .1
- XX ± .01
- XXX ± .005
- XXXX ± .002
- ANGULAR ± .5°

THIRD ANGLE PROJECTION



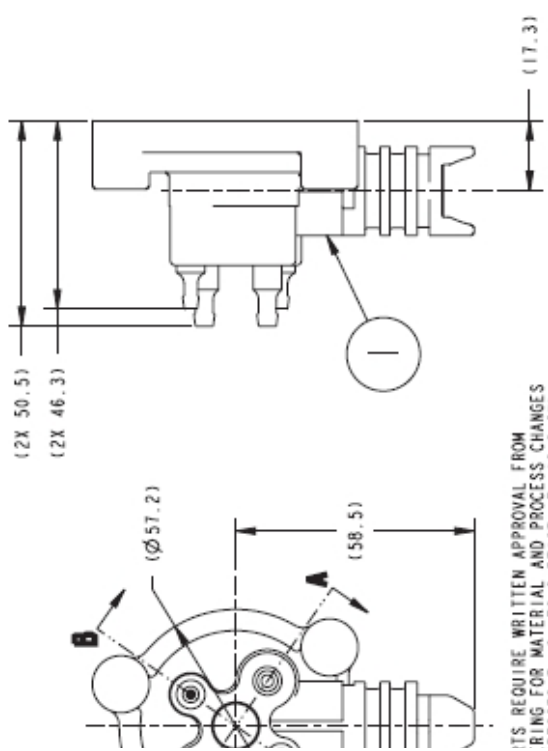
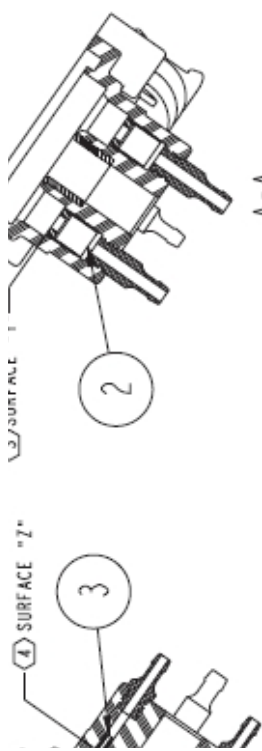
TOLERANCES PER ASME Y14.5-2009.
AND SHARP EDGES.
OUTSIDE SURFACE.
IN INSIDE SURFACE.
INODIZE PER MIL-A-8625, TYPE II, CLASS 2
R FED STD 595B, GOLD #17043.

Parts of a Drawing Exercise – Part 2

Given the drawing below, answer the following questions using short, complete statements.

Question	Answer
1. Give the drawing title.	
2. Identify the drawing number.	
3. How many times has this drawing been revised?	
4. How many sheets are there with this drawing?	
5. What is the drawing scale?	
6. Identify the zone where the (2X 46.3) dimension is located.	
7. Give the company name.	
8. Identify the view projection used on this drawing.	
9. Give the sheet size.	
10. Give the initials of the person who approved this drawing.	
11. Give the description of the first revision.	
12. Give the description of the second revision.	
13. Give the description of the current revision.	
14. Identify the zone where the second part of revision B is located.	
15. Identify the zone where the (58.5) dimension is located.	

A3	1	REVISED APPLICATION TABLE	S-1668	DEC	10MAY27	LEPPERT
A6	2	REVISED 8-N014				



ITS REQUIRE WRITTEN APPROVAL FROM RING FOR MATERIAL AND PROCESS CHANGES RESSES FLUSH TO SURFACE "Z" AS SHOWN

RESSES FLUSH TO SURFACE "Y" AS SHOWN CLEAN AND FREE OF OIL AND FOREIGN MATTER SPECIFIED THE FOLLOWING SPECIFICATIONS APPLY

VALVE - LEE CHECK (2.5mm)	2
VALVE ASSEMBLY - LEE CHECK	2
BODY - FOUR PORT OIL PUMP	1 (B2)
DESCRIPTION	ML RES-0

ACTN BY	YY/MM/DD	DEFAULT TOLERANCE	THIRD ANGLE PROJECTION
DWR	MAS 08DEC16	1 PL DEC ±0.2	
CHKD	KLL 08DEC19	2 PL DEC ±0.12	
APVD	KLL 08DEC19	3 PL DEC ±0.050	
AUTH: WOR: 22251		MAJOR	CRITICAL

UNLESS OTHERWISE SPECIFIED DIMENSIONS ARE IN MILLIMETERS

INTERPRET DIMENSIONS AND TOLERANCES PER ASME Y14.5M-1994

THIS DOCUMENT CONTAINS CONFIDENTIAL INFORMATION. ALL COPYRIGHT AND OTHER RIGHTS RESERVED BY SYNERJECT. DRAWINGS REMAIN THE PROPERTY OF SYNERJECT. DRAWINGS PROVIDED ARE FOR INFORMATION PURPOSES ONLY WITH NO RIGHT TO USE FOR MANUFACTURING PURPOSES WITHOUT THE WRITTEN PERMISSION FROM SYNERJECT ENGINEERING.

SYNERJECT

201 ENTERPRISE DRIVE
NEWPORT NEWS, VA 23603
TEL: (757) 896-4900
FAX: (757) 896-4903
www.syrerject.com

58-N020	TITLE
58-N017	BODY ASSEMBLY - 4 PORT OIL PUMP
8-N037	
8-N017	
BRP	
NEXT ASSY USED ON	
A3	PRO/E
8-N016	DWG NO
B	REV

SCALE	1:1	DO NOT SCALE	SHEET 1 OF 1
-------	-----	--------------	--------------

APPLICATION	2
3	
4	
5	

This project is sponsored by a \$15.9 million grant from the U.S. Department of Labor, Employment and Training Administration.

The AMMQC program is an Equal Opportunity program. Adaptive equipment is available upon request for individuals with disabilities. This workforce product was funded by a grant awarded by the U.S. Department of Labor's Employment and Training Administration. The product was created by the grantee and does not necessarily reflect the official position of the U.S. Department of Labor. The U.S. Department of Labor makes no guarantees, warranties, or assurances of any kind, express or implied, with respect to such information, including any information on linked sites and including, but not limited to, accuracy of the information or its completeness, timeliness, usefulness, adequacy, continued availability, or ownership.

This work is licensed under a Creative Commons Attribution 3.0 Unported License
[<http://creativecommons.org/licenses/by/3.0>]