

Student Name: \_\_\_\_\_ N# \_\_\_\_\_ Date: \_\_\_\_\_

This hands-on assessment requires that each student successfully demonstrates each of these tasks to the instructor's satisfaction. There is no grade for this assessment. Prior to taking this assessment, the student must pass (minimum of 80%) the Knowledge and Application Assessment. The student cannot proceed to the HOA for the next module without completing this HOA

Check	#	Skills Task
_____	1.	Create the project, configure I/O, name the processor
_____	2.	Create rungs of logic in multiple program files
_____	3.	Expand timer and counter data files
_____	4.	Explain the operation of the program to the instructor.
_____	5.	Explain the operation of the various timer and status bits
_____	6.	Explain the operation of the counters, reset and status bits
_____	7.	Do a cross reference on a discrete output
_____	8.	Navigate and view a different program file
_____	9.	Download, go online, manipulate and upload
_____	10.	Interpret electrical prints with PLC

Student Procedure:

1. Create a new project, configure I/O, create the following program.

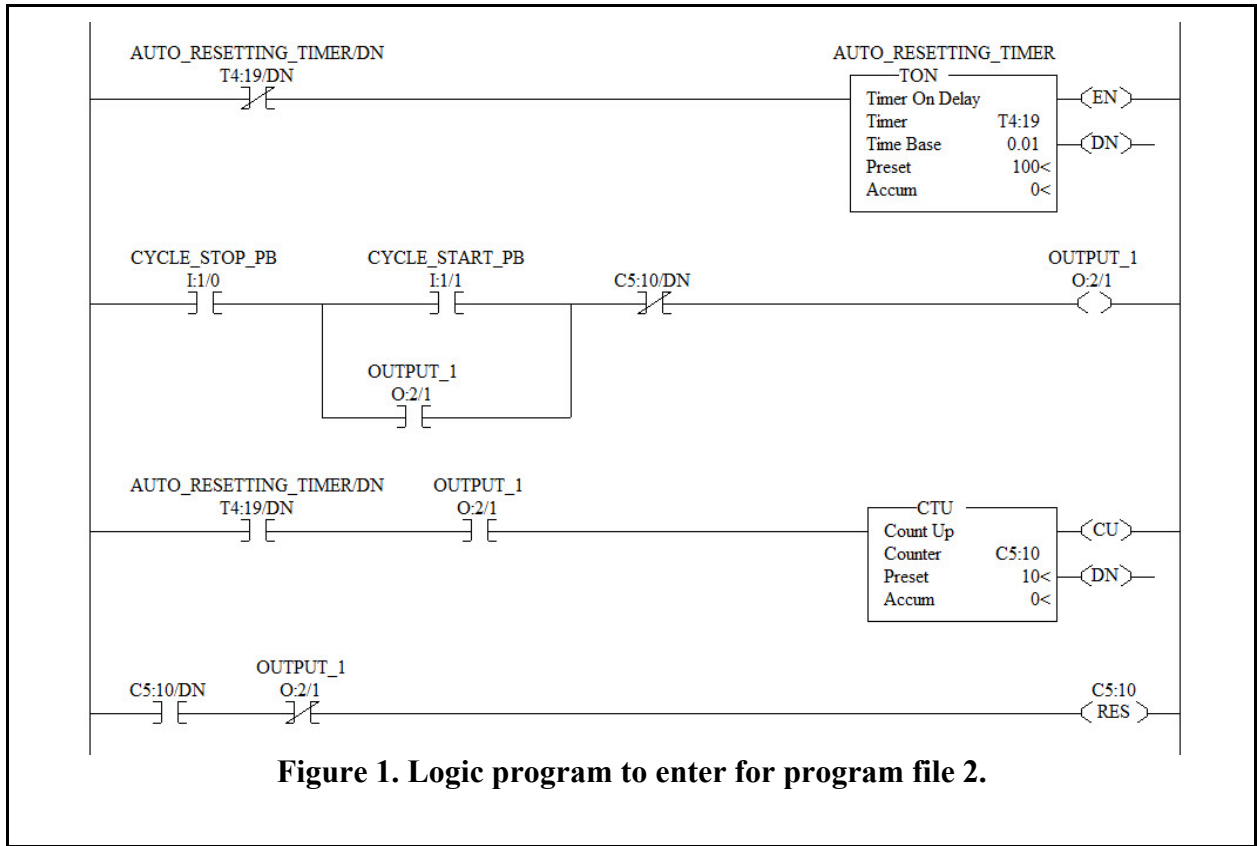


Figure 1. Logic program to enter for program file 2.

2. Create a Program File 3. Key in the following program.

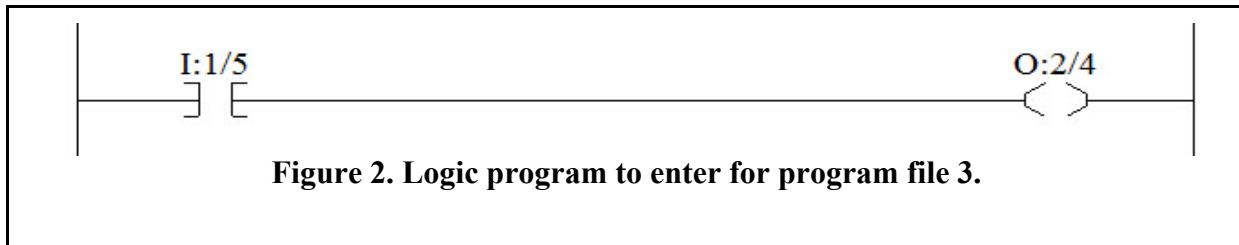


Figure 2. Logic program to enter for program file 3.

3. Expand the timer data file out to 20 timers. Expand the counter file out to 10 counters.
4. Do a cross reference on OUTPUT\_1 output.
5. View the new program file. Toggle the input instruction bit. Does the output respond?
6. Explain the program and instructions to the instructor. Demonstrate the skills listed above.

**DOL DISCLAIMER:**

This product was funded by a grant awarded by the U.S. Department of Labor’s Employment and Training Administration. The product was created by the grantee and does not necessarily reflect the official position of the U.S. Department of Labor. The Department of Labor makes no guarantees, warranties, or assurances of any kind, express or implied, with respect to such information, including any information on linked sites and including, but not limited to, accuracy of the information or its completeness, timeliness, usefulness, adequacy, continued availability, or ownership.



This work is licensed under a [Creative Commons Attribution 4.0 International License](https://creativecommons.org/licenses/by/4.0/).